



FSA203 — Multimedia High-Speed USB, Video, and Negative Swing Audio Switch with Video Amp/Filter

Features

- USB: 3.5Ω Typical On Resistance
- Video/Mic: 3Ω Typical On Resistance
- Audio: 3.5Ω Typical On Resistance
- USB: -3db Bandwidth at 0pF > 745MHz
- Video: -3db Bandwidth > 615MHz
- Video: 1.0db Flatness > 6MHz
- Low-Power Shutdown Mode: 1μA Maximum
- Power-Off Protection on Common D+/R, D-/L, Video/Microphone Ports
- Packaged in Pb-free 20-Lead DQFN and 2.5 x 4.5mm 20-Pin TSSOP

Description

The FSA203 is a multimedia device that includes a Double-Pole, Double Throw (DPDT) USB / audio multiplexer, a video/microphone switch, and a video amplifier / filter path. The DPDT path combines a low-distortion audio and a USB2.0 switch path.

This configuration enables audio and USB data to share a common connector port. The architecture is designed such that audio signals are allowed to swing below ground, enabling the use of a common USB and headphone connector for personal media players and similar portable peripheral devices.

The FSA203 includes a power-off feature to minimize current consumption when V_{av} or V_{bus} is not present. This power-off circuitry is available for the common D+/R, D-/L ports only.

Typical applications involve switching in portables and consumer applications, such as cell phones, digital cameras, and notebooks with hubs or controllers.

Applications

- Cell Phone, PDA, Digital Camera, and Notebook
- LCD Monitor, TV, and Set-Top Box

IMPORTANT NOTE:

For additional performance information, please contact analogswitch@fairchildsemi.com.

Ordering Information

Part Number	Top Mark	Pb-Free	Packing Description
FSA203BQX	203	Yes	20-Lead Depopulated very thin Quad Flat-pack No leads (DQFN) JEDEC MO-241, 2.5 x 4.5mm
FSA203MTCX	FSA203	Yes	20-Lead Thin Shrink Small Outline Package (TSSOP) JEDEC MO-153, 4.4mm wide

Diagrams

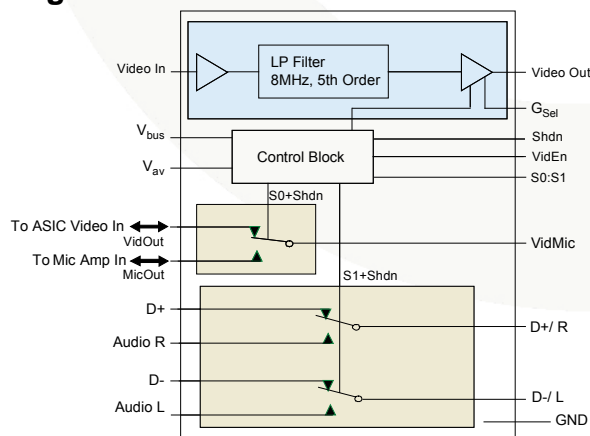


Figure 1. Functional Block Diagram

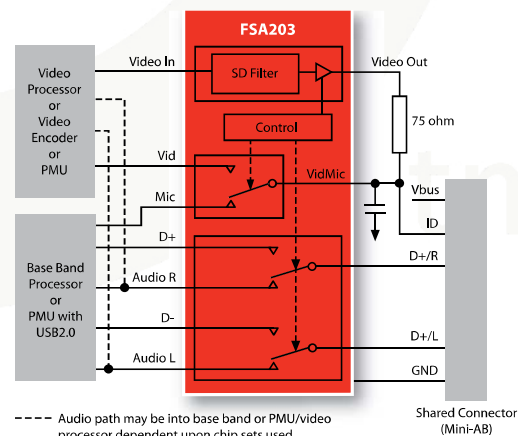



Figure 2. Typical Application Diagram



TRADEMARKS

The following are registered and unregistered trademarks and service marks Fairchild Semiconductor owns or is authorized to use and is not intended to be an exhaustive list of all such trademarks.

- | | | | |
|-------------------------------------|--|--|---|
| ACEx [®] | Green FPS [™] e-Series [™] | POWEREDGE [®] | SuperSOT [™] -8 |
| Build it Now [™] | GTO [™] | Power-SPM [™] | SyncFET [™] |
| CorePLUS [™] | <i>i-Lo</i> [™] | PowerTrench [®] | The Power Franchise [®] |
| CROSSVOLT [™] | IntelliMAX [™] | Programmable Active Droop [™] |  ™ |
| CTL [™] | ISOPLANAR [™] | QFET [®] | TinyBoost [™] |
| Current Transfer Logic [™] | MegaBuck [™] | QS [™] | TinyBuck [™] |
| EcoSPARK [®] | MICROCOUPLER [™] | QT Optoelectronics [™] | TinyLogic [®] |
| FACT Quiet Series [™] | MicroFET [™] | Quiet Series [™] | TINYOPTO [™] |
| FACT [®] | MicroPak [™] | RapidConfigure [™] | TinyPower [™] |
| FAST [®] | Motion-SPM [™] | SMART START [™] | TinyPWM [™] |
| FastvCore [™] | OPTOLOGIC [®] | SPM [®] | TinyWire [™] |
| FPS [™] | OPTOPLANAR [®] | STEALTH [™] | μSerDes [™] |
| FRFET [®] | PDP-SPM [™] | SuperFET [™] | UHC [®] |
| Global Power Resource SM | Power220 [®] | SuperSOT [™] -3 | UniFET [™] |
| Green FPS [™] | Power247 [®] | SuperSOT [™] -6 | VCX [™] |

DISCLAIMER

FAIRCHILD SEMICONDUCTOR RESERVES THE RIGHT TO MAKE CHANGES WITHOUT FURTHER NOTICE TO ANY PRODUCTS HEREIN TO IMPROVE RELIABILITY, FUNCTION, OR DESIGN. FAIRCHILD DOES NOT ASSUME ANY LIABILITY ARISING OUT OF THE APPLICATION OR USE OF ANY PRODUCT OR CIRCUIT DESCRIBED HEREIN; NEITHER DOES IT CONVEY ANY LICENSE UNDER ITS PATENT RIGHTS, NOR THE RIGHTS OF OTHERS. THESE SPECIFICATIONS DO NOT EXPAND THE TERMS OF FAIRCHILD'S WORLDWIDE TERMS AND CONDITIONS, SPECIFICALLY THE WARRANTY THEREIN, WHICH COVERS THESE PRODUCTS.

LIFE SUPPORT POLICY

FAIRCHILD'S PRODUCTS ARE NOT AUTHORIZED FOR USE AS CRITICAL COMPONENTS IN LIFE SUPPORT DEVICES OR SYSTEMS WITHOUT THE EXPRESS WRITTEN APPROVAL OF FAIRCHILD SEMICONDUCTOR CORPORATION.

As used herein:

- Life support devices or systems are devices or systems which, (a) are intended for surgical implant into the body or (b) support or sustain life, and (c) whose failure to perform when properly used in accordance with instructions for use provided in the labeling, can be reasonably expected to result in a significant injury of the user.
- A critical component in any component of a life support, device, or system whose failure to perform can be reasonably expected to cause the failure of the life support device or system, or to affect its safety or effectiveness.

PRODUCT STATUS DEFINITIONS

Definition of Terms

Datasheet Identification	Product Status	Definition
Advance Information	Formative or In Design	This datasheet contains the design specifications for product development. Specifications may change in any manner without notice.
Preliminary	First Production	This datasheet contains preliminary data; supplementary data will be published at a later date. Fairchild Semiconductor reserves the right to make changes at any time without notice to improve design.
No Identification Needed	Full Production	This datasheet contains final specifications. Fairchild Semiconductor reserves the right to make changes at any time without notice to improve design.
Obsolete	Not In Production	This datasheet contains specifications on a product that has been discontinued by Fairchild Semiconductor. The datasheet is printed for reference information only.

Rev. 129